

LED



Lux Design

RAL 9006 RAL 9003

MULTILED-SPOT-A-P

- Surface mounting version in white RAL9003 or gray RAL9006 colours
- stropná prisadená verzia dostupná v bielej alebo šedej farbe

230V AC 24V AC/DC 2x 3W LED 1h

AUTO TEST CENTRAL TEST F CE I IP20



DESCRIPTION

POPIS

- Small and powerful **2x3W LED equipped** non-maintained (NM), maintained (M) or centralised (C) emergency lighting for perfect light distribution designed for corridor applications available also in all:
  - AUTOTEST version (MULTILED-SPOT-AT),
  - CENTRALTEST version for **ELMAX LOOK** (MULTILED-SPOT-ATXL), (see also **SEC-ELMAX LOOK + ELMAX ZigBee** on pages 162-165)
- Conforming to the requirement of EN 60598-2-22
- Design: AL body with PE powder coat finish RAL9006 (grey) or RAL9003 (white)
- **2x3W LED malé a výkonné svietidlo pre netvrvalé (NM), trvalé (M) alebo centrálne (C) núdzové osvetlenie zaručujúce vysokú hladinu svetelného toku pre aplikácie na núdzové osvetlenie chodieb**, aj s funkciami:
  - AUTOTEST (MULTILED-SPOT-AT),
  - CENTRALTEST pre systém **ELMAX LOOK** (MULTILED-SPOT-ATXL), (pozri systémy **ELMAX LOOK + ELMAX ZigBee** str.162-165)
- spĺňa požiadavky európskej normy EN 60598-2-22
- konštrukcia: teleso z hliníka v RAL9006 (šedá) alebo RAL9003 (biela)

STANDARD ACCESSORIES

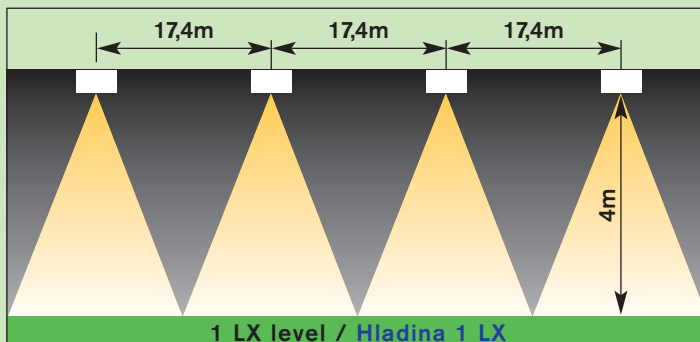
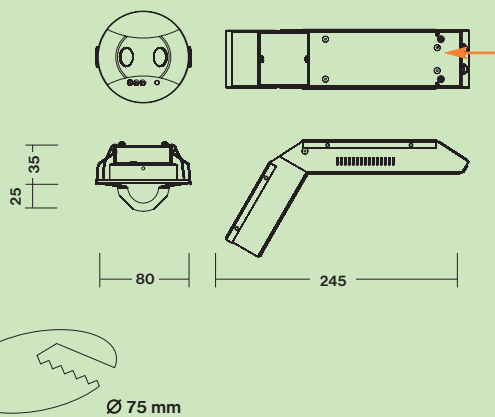
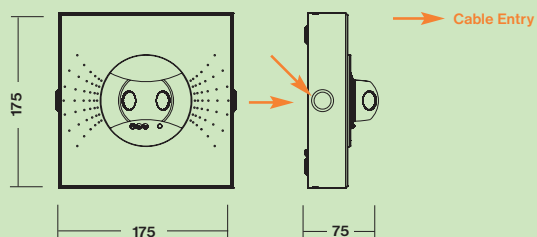
ŠTANDARDNÁ VÝBAVA

- **2x3W powerful LED ( by CREE Led)**
- Special shaped AL reflector
- LEDs indicating both presence of power supply and signaling failures
- TEST button
- **výkonné LED 2x3W (od CREE Led)**
- špeciálny hliníkový reflektor
- signalizácia LED a TEST tlačítko

OPTIONS

PRÍPLATKY

- Alternative colour surface treatment in RALxxxx (min order 50pcs)
- povrchová úprava vo farbe podľa špecifikácie odberateľa (min 50ks)



AUTOTEST

MULTILED-SPOT-A-P-AT (SURFACE M./ PRISADENÝ)

W	Type / Typ	Colour /Farba	LED	% Emergency Factor	Battery / Akumulátor	Duration / autonómia	Order Code / obj.kód	Weight
LED	MULTILED-SPOT-A-P-AT 2x3W	white / biela	2x3W / 50lm	100%	NI-MH 4,8V/2,1Ah	1h	182-B-30-01-00	0,8 kg
LED	MULTILED-SPOT-A-P-AT 2x3W	grey / šedá	2x3W / 50lm	100%	NI-MH 4,8V/2,1Ah	1h	182-B-30-02-00	0,8 kg

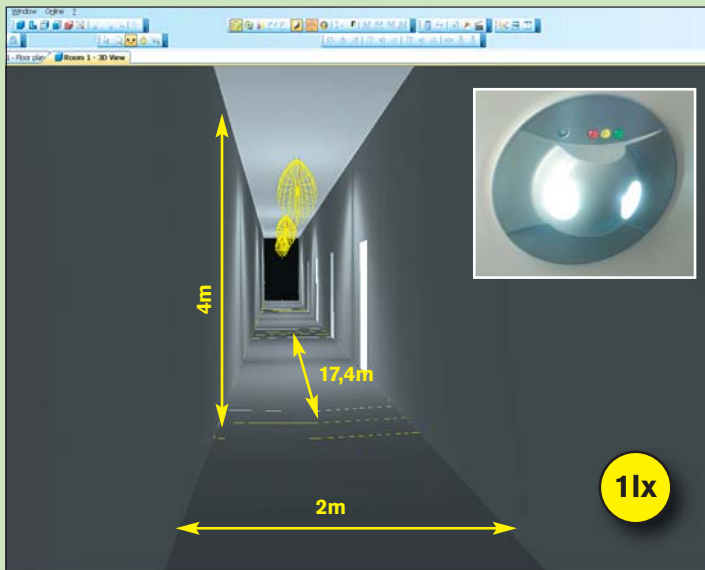
ELMAX-LOOK

MULTILED-SPOT-A-P-ATXL (SURFACE M./ PRISADENÝ)

W	Type / Typ	Version	LED	% Emergency Factor	Battery / Akumulátor	Duration / autonómia	Order Code / obj.kód	Weight
LED	MULTILED-SPOT-A-P-ATXL 2x3W	white / biela	2x3W / 50lm	100%	NI-MH 4,8V/2,1Ah	1h	182-B-34-01-00	0,8 kg
LED	MULTILED-SPOT-A-P-ATXL 2x3W	grey / šedá	2x3W / 50lm	100%	NI-MH 4,8V/2,1Ah	1h	182-B-34-02-00	0,8 kg

CENTRAL POWER SUPPLY C.LEDLUX-SPOT-P-V (SURFACE M./ PRISADENÝ)

W	Type / Typ	Colour /Farba	LED	% Emergency Factor	Power / Napätie	Duration / autonómia	Order Code / obj.kód	Weight
LED	C.LEDLUX-SPOT-A-P 2x3W / 230V	white / biela	2x3W / 50lm	100%	230V AC/DC	-	182-B-31-01-00	0,6 kg
LED	C.LEDLUX-SPOT-A-P 2x3W / 230V	NM/M	2x3W / 50lm	100%	230V AC/DC	-	182-B-31-02-00	0,6 kg



MULTILED-SPOT-A

- Common corridor application of MULTILED-SPOT
- typická aplikácia svietidla MULTILED-SPOT pre chodby

LED



Lux Design

RAL 9006 RAL 9003

MULTILED-SPOT-A-V

- Recessed mounting version in white RAL9003 or grey RAL9006 colours
- zapustená verzia dostupná v bielej alebo šedej farbe

**AUTOTEST**

**MULTILED-SPOT-A-V-AT (RECESSED / ZAPUSTENÝ)**

W	Type / Typ	Colour / Farba	LED	% Emergency Factor	Battery / Akumulátor	Duration / autonómia	Order Code / obj.kód	Weight
LED	MULTILED-SPOT-A-V-AT 2x3W	white / biela	2x3W / 50lm	100%	NI-MH 4,8V/2,1Ah	1h	182-B-28-01-00	0,5 kg
LED	MULTILED-SPOT-A-V-AT 2x3W	grey / šedá	2x3W / 50lm	100%	NI-MH 4,8V/2,1Ah	1h	182-B-28-02-00	0,5 kg

**ELMAX-LOOK**

**MULTILED-SPOT-A-V-ATXL (RECESSED / ZAPUSTENÝ)**

W	Type / Typ	Version	LED	% Emergency Factor	Battery / Akumulátor	Duration / autonómia	Order Code / obj.kód	Weight
LED	MULTILED-SPOT-A-V-ATXL 2x3W	white / biela	2x3W / 50lm	100%	NI-MH 4,8V/2,1Ah	1h	182-B-33-01-00	0,5 kg
LED	MULTILED-SPOT-A-V-ATXL 2x3W	grey / šedá	2x3W / 50lm	100%	NI-MH 4,8V/2,1Ah	1h	182-B-33-02-00	0,5 kg

**CENTRAL POWER SUPPLY**

**C.LEDLUX-SPOT-A-V (RECESSED / ZAPUSTENÝ)**

W	Type / Typ	Colour / Farba	LED	% Emergency Factor	Power / Napätie	Duration / autonómia	Order Code / obj.kód	Weight
LED	C.LEDLUX-SPOT-A-V 2x3W / 230V	white / biela	2x3W / 50lm	100%	230V AC/DC	-	182-B-26-01-00	0,5 kg
LED	C.LEDLUX-SPOT-A-V 2x3W / 230V	grey / šedá	2x3W / 50lm	100%	230V AC/DC	-	182-B-24-01-00	0,5 kg



MULTILED-SPOT-A/C.LEDLUX-SPOT-A

h (m)	X1	X2	Y1	Y2
2,75	-	-	6,1	14,0
3,00	-	-	6,4	14,7
3,50	-	-	7,0	16,2
4,00	-	-	7,6	17,4



Lux Design