

LED



Lux Design

RAL 9006 RAL 9003

MULTILED-SPOT-C-P

- Surface mounting version in white RAL9003 or gray RAL9006 colours
- stropná prisadená verzia dostupná v bielej alebo šedej farbe

230V AC 24V AC/DC 2x 3W LED 1h

AUTO TEST CENTRAL TEST F CE I IP20



DESCRIPTION POPIS

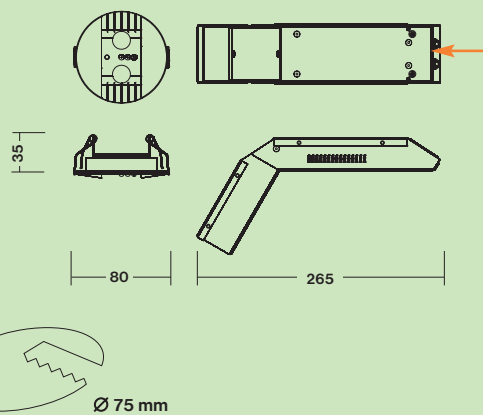
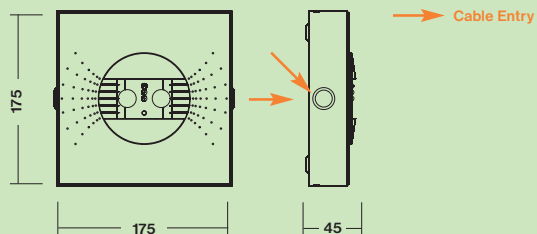
- Powerful **2x3W LED** equipped non-maintained (NM), maintained (M) or centralised (C) emergency lighting for perfect light distribution for wide area such as all office, lobby, class, ... (designed for circle shaped lighting distribution)
- Available also in all:
 - AUTOTEST version (MULTILED-SPOT-AT),
 - CENTRALTEST version for **ELMAX LOOK** (MULTILED-SPOT-ATXL), (see also **SEC-ELMAX LOOK + ELMAX ZigBee** on pages 162-165)
 - Conforming to the requirement of EN 60598-2-22
 - Design: AL body with PE powder coat finish RAL9006 (grey) or RAL9003 (white)
- 2x3W LED výkonné svietidlo pre **netrvalé (NM), trvalé (M)** alebo **centrálne (C)** núdzové osvetlenie zaručujúce **vysokú hladinu svetelného toku s kruhovou charakteristikou** (vhodné na osvetlenie väčšieho priestoru, napr. **kancelária, školská trieda, vstupné lobby, chodba pred výťahom**), aj s funkciami:
 - **AUTOTEST** (MULTILED-SPOT-AT),
 - **CENTRALTEST** pre systém **ELMAX LOOK** (MULTILED-SPOT-ATXL), (pozri systémy **ELMAX LOOK + ELMAX ZigBee** str.162-165)
 - spĺňa požiadavky európskej normy EN 60598-2-22
 - konštrukcia: teleso z hliníka v RAL9006 (šedá) alebo RAL9003 (biela)

STANDARD ACCESSORIES ŠTANDARDNÁ VÝBAVA

- 2x3W powerful LED (by CREE Led)
- Special shaped AL reflector
- LEDs indicating both presence of power supply and signaling failures
- TEST button
- **výkonné LED 2x3W (od CREE Led)**
- špeciálny hliníkový reflektor
- signalizácia LED a TEST tlačítko

OPTIONS PRIPLATKY

- Alternative colour surface treatment in RALxxxx (min order 50pcs)
- povrchová úprava vo farbe podľa špecifikácie odberateľa (min 50ks)



AUTOTEST

MULTILED-SPOT-C-P-AT (SURFACE M./ PRISADENÝ)

W	Type / Typ	Colour / Farba	LED	% Emergency Factor	Battery / Akumulátor	Duration / autonómia	Order Code / obj.kód	Weight
LED	MULTILED-SPOT-C-P-AT 2x3W	white / biela	2x3W / 50lm	100%	NI-MH 4,8V/2,1Ah	1h	182-B-40-01-00	0,8 kg
LED	MULTILED-SPOT-C-P-AT 2x3W	grey / šedá	2x3W / 50lm	100%	NI-MH 4,8V/2,1Ah	1h	182-B-40-02-00	0,8 kg

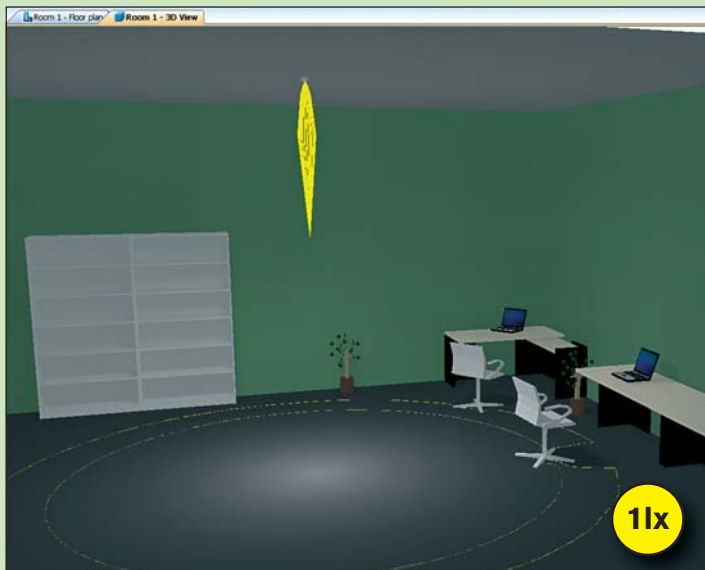
ELMAX-LOOK

MULTILED-SPOT-C-P-ATXL (SURFACE M./ PRISADENÝ)

W	Type / Typ	Version	LED	% Emergency Factor	Battery / Akumulátor	Duration / autonómia	Order Code / obj.kód	Weight
LED	MULTILED-SPOT-C-P-ATXL 2x3W	white / biela	2x3W / 50lm	100%	NI-MH 4,8V/2,1Ah	1h	182-B-41-01-00	0,8 kg
LED	MULTILED-SPOT-C-P-ATXL 2x3W	grey / šedá	2x3W / 50lm	100%	NI-MH 4,8V/2,1Ah	1h	182-B-41-02-00	0,8 kg

CENTRAL POWER SUPPLY C.LEDLUX-SPOT-C-P (SURFACE M./ PRISADENÝ)

W	Type / Typ	Colour / Farba	LED	% Emergency Factor	Power / Napätie	Duration / autonómia	Order Code / obj.kód	Weight
LED	C.LEDLUX-SPOT-C-P 2x3W / 230V	white / biela	2x3W / 50lm	100%	230V AC/DC	-	182-B-42-01-00	0,6 kg
LED	C.LEDLUX-SPOT-C-P 2x3W / 230V	grey / šedá	2x3W / 50lm	100%	230V AC/DC	-	182-B-42-02-00	0,6 kg



MULTILED-SPOT-C

- Common office application of MULTILED-SPOT-C
- typická aplikácia svietidla MULTILED-SPOT-C pre kancelárie

LED



Lux Design

RAL 9006 RAL 9003

MULTILED-SPOT-C-V

- Recessed mounting version in white RAL9003 or grey RAL9006 colours
- zapustená verzia dostupná v bielej alebo šedej farbe

AUTOTEST

MULTILED-SPOT-C-V-AT (RECESSED / ZAPUSTENÝ)

W	Type / Typ	Colour / Farba	LED	% Emergency Factor	Battery / Akumulátor	Duration / autonómia	Order Code / obj.kód	Weight
LED	MULTILED-SPOT-C-V-AT 2x3W	white / biela	2x3W / 50lm	100%	NI-MH 4,8V/2,1Ah	1h	182-B-37-01-00	0,5 kg
LED	MULTILED-SPOT-C-V-AT 2x3W	grey / šedá	2x3W / 50lm	100%	NI-MH 4,8V/2,1Ah	1h	182-B-37-02-00	0,5 kg

ELMAX-LOOK

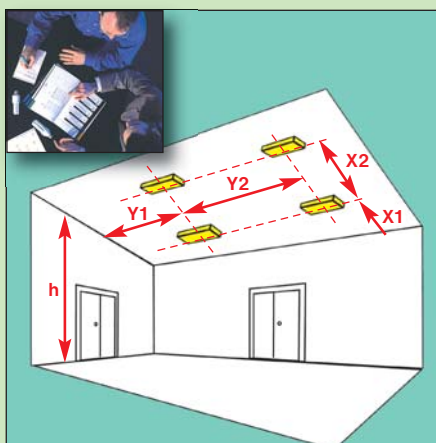
MULTILED-SPOT-C-V-ATXL (RECESSED / ZAPUSTENÝ)

W	Type / Typ	Version	LED	% Emergency Factor	Battery / Akumulátor	Duration / autonómia	Order Code / obj.kód	Weight
LED	MULTILED-SPOT-C-V-ATXL 2x3W	white / biela	2x3W / 50lm	100%	NI-MH 4,8V/2,1Ah	1h	182-B-38-01-00	0,5 kg
LED	MULTILED-SPOT-C-V-ATXL 2x3W	grey / šedá	2x3W / 50lm	100%	NI-MH 4,8V/2,1Ah	1h	182-B-38-02-00	0,5 kg

CENTRAL POWER SUPPLY

C.LEDLUX-SPOT-C-V (RECESSED / ZAPUSTENÝ)

W	Type / Typ	Colour / Farba	LED	% Emergency Factor	Power / Napätie	Duration / autonómia	Order Code / obj.kód	Weight
LED	C.LEDLUX-SPOT-C-V 2x3W / 230V	white / biela	2x3W / 50lm	100%	230V AC/DC	-	182-B-39-01-00	0,5 kg
LED	C.LEDLUX-SPOT-C-V 2x3W / 230V	grey / šedá	2x3W / 50lm	100%	230V AC/DC	-	182-B-39-02-00	0,5 kg



MULTILED-SPOT-A/C.LEDLUX-SPOT-A

h (m)	X1	X2	Y1	Y2
2,75	2,2	5,8	2,2	5,8
3,00	2,3	6,0	2,3	6,0
3,50	2,4	6,2	2,4	6,2
4,00	2,6	6,4	2,6	6,4



Lux Design